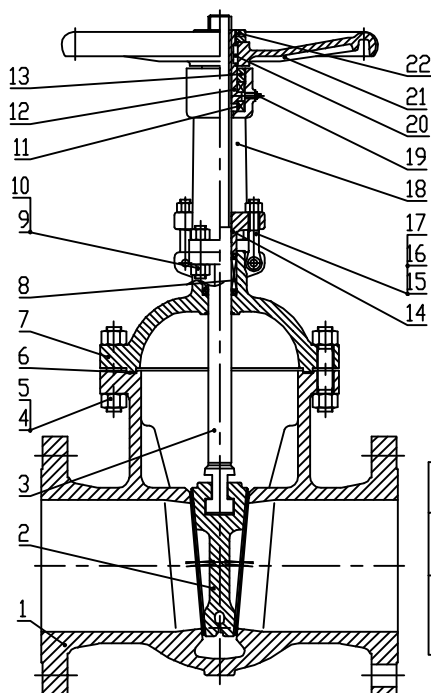


DIN GATE VALVE PN25

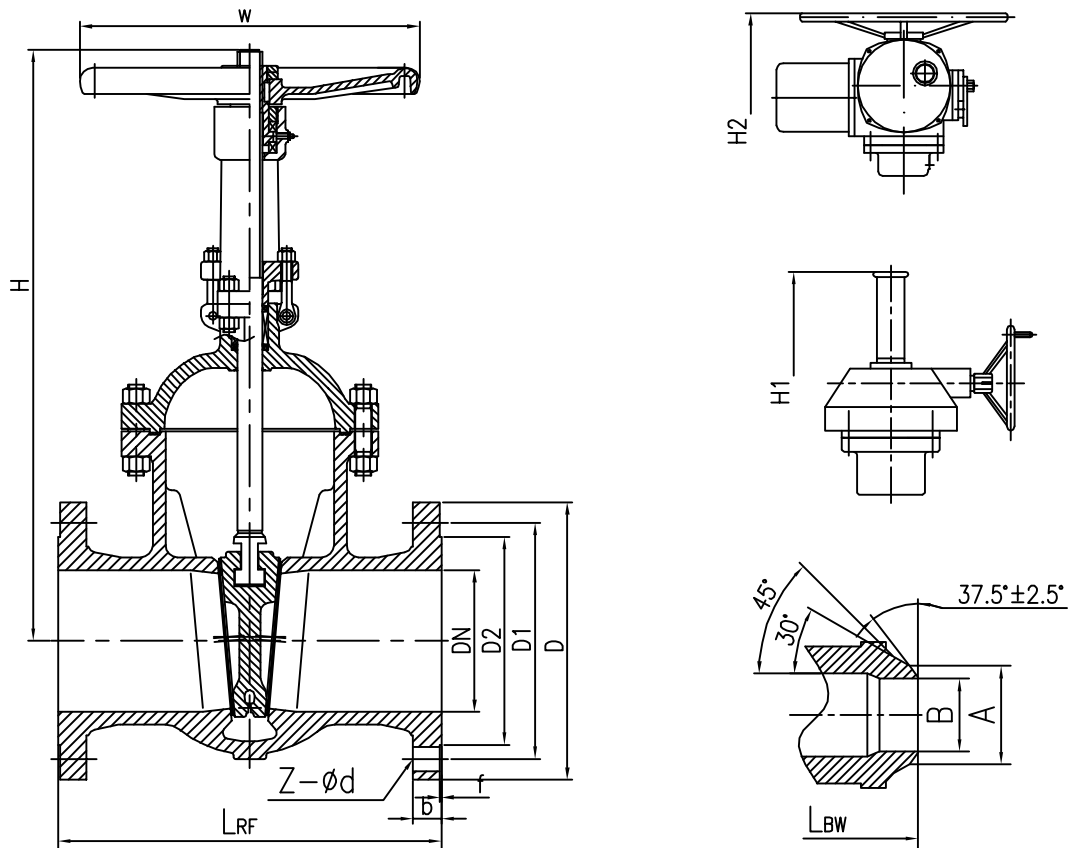


Standard and Specification/标准与规范				
Design standard 设计标准	Face to face 结构长度	Flange connection 法兰连接	Welding connection 焊接连接	Testing standard 试验与检验
DIN 3352	DIN 3202	DIN 2543 -2547	GB/T 12224	DIN 3230

Performance specification/性能规范						
PN 公称压力(MPa)	Shell test 壳体试验(MPa)	Sealing test 密封试验(MPa)	Back seal test 上密封(MPa)	Oil seal test 气密试验(MPa)	Temperature 适用温度(℃)	Medium 使用介质
2.5	3.8	2.75	2.75	0.6	-29℃~425℃	Water, Steam, Oil, Gas, etc./水、蒸汽、油品等

NO./序号	Name/名称	Material/材料					
		GS-C25 +13Cr	1.4308	1.4408	CF3	CF3M	LCC+STL
1	Body/阀体	GS-C25 +13Cr	1.4308	1.4408	CF3	CF3M	LCC+STL
2	Disc/闸板	GS-C25 +13Cr	1.4308	1.4408	CF3	CF3M	LCC+STL
3	Stem/阀杆	1.4021	F304	F316	F304L	F316L	F304
4	Bolts/双头螺栓	B7	B8	B8	B8	B8	B7
5	Nuts/六角螺母	2H	8	8	8	8	2H
6	Gasket/复合垫片	304+GRAPHITE	304+GRAPHITE	304+GRAPHITE	304+GRAPHITE	304+GRAPHITE	304+GRAPHITE
7	Bonnet/阀盖	GS-C25	1.4308	1.4408	CF3	CF3M	LCC
8	Packing/填料	GRAPHITE	GRAPHITE	GRAPHITE	GRAPHITE	GRAPHITE	GRAPHITE
9	Bolts/双头螺栓	B7	B8	B8	B8	B8	B7
10	Nuts/六角螺母	2H	8	8	8	8	2H
11	Thrust bearing/推力轴承	Bearing steel	Bearing steel	Bearing steel	Bearing steel	Bearing steel	Bearing steel
12	Nut/阀杆螺母	ZQAL9-4	ZQAL9-4	ZQAL9-4	ZQAL9-4	ZQAL9-4	ZQAL9-4
13	Bearing cover/轴承压盖	1025	1025	1025	1025	1025	1025
14	Packing cover/填料压盖	GS-C25	1.4308	1.4408	CF3	CF3M	LCC
15	Pin/销轴	1.4021	1.4301	1.4301	1.4301	1.4301	1.4021
16	Bolts/活节螺栓	B7	B8	B8	B8	B8	B7
17	Nuts/六角螺母	2H	8	8	8	8	2H
18	Yoke/支架	GS-C25	1.4308	1.4408	CF8	CF8	LCC
19	Oil cup/注油杯	Bronze	Bronze	Bronze	Bronze	Bronze	Bronze
20	Flat key/平键	1035	304	304	304	304	1035
21	Handwheel/手轮	GGG-40	GGG-40	GGG-40	GGG-40	GGG-40	GGG-40
22	Lock nut/锁紧螺母	1025	1025	1025	1025	1025	1025

DIN GATE VALVE PN25



DIN-F5 GATE VALVE PN25

DN	L _{RF}	L _{BW}	D(φ)	D1(φ)	D2(φ)	f	b	Z-φd	A	B	H	w(φ)
50	250	250	165	125	99	2	20	4-φ18	60	52	355	200
65	270	270	185	145	118	2	22	8-φ18	75	63	376	200
80	280	280	200	160	132	2	24	8-φ18	91	78	435	280
100	300	300	235	190	156	2	24	8-φ22	117	102	502	300
125	325	325	270	220	184	2	26	8-φ26	144	128	615	320
150	350	350	300	250	211	2	28	8-φ26	172	154	675	360
200	400	400	360	310	274	2	30	12-φ26	223	203	820	400
250	450	450	425	370	330	2	32	12-φ30	278	255	970	450
300	500	500	485	430	389	2	34	16-φ30	329	305	1145	500
350	550	550	555	490	448	2	38	16-φ33	362	337	1280	550
400	600	600	620	550	503	2	40	16-φ36	413	387	1451	600
450	650	650	670	600	548	2	46	20-φ36	464	438	1545	650
500	700	700	730	660	609	2	48	20-φ36	516	489	1678	700
600	800	800	845	770	720	2	58	20-φ39	619	591	1875	800
700	900	900	960	875	820	5	50	24-φ42	721	695	2085	900
800	1000	1000	1085	990	928	5	54	24-φ48	825	797	2405	950
900	1100	1100	1185	1090	1028	5	58	28-φ48	927	899	2950	1000
1000	1200	1200	1320	1210	1140	5	62	28-φ55	-	-	3244	1000